

MegaView® 2 IP Megapixel Bullet Cameras

1.2–10MP H.264 All-in-One Motorized P-Iris Lens True Day/Night IR Indoor/Outdoor Bullet-Style IP Cameras with WDR (Wide Dynamic Range) and STELLAR™ (Spatio Temporal Low Light Architecture) Models

Camera Models

1.2 Megapixel STELLAR™	1080p	1080p WDR	3 Megapixel	3 Megapixel WDR	5 Megapixel	10 Megapixel
AV1225PMIR-S	AV2225PMIR	AV2226PMIR	AV3225PMIR	AV3226PMIR	AV5225PMIR	AV10225PMIR
	AV2225PMIR-S	AV2226PMIR-S	AV3225PMIR-S	AV3226PMIR-S	AV5225PMIR-S	AV10225PMIR-S
	AV2225PMIR-SA	AV2226PMTIR	AV3225PMTIR	AV3226PMIR-SA	AV5225PMIR-SA	AV10225PMTIR
	AV2225PMTIR	AV2226PMTIR-S	AV3225PMTIR-S	AV3226PMTIR	AV5225PMTIR	AV10225PMTIR-S
	AV2225PMTIR-S			AV3226PMTIR-S	AV5225PMTIR-S	



Telephoto Lens

Wide Angle Lens



MegaView® 2 second generation multi-megapixel cameras provide ample resolution to zoom-in for details in live or recorded video. These indoor/outdoor all-in-one solutions integrate a 1.2-, 1080p, 3-, 5-, or 10-megapixel camera with fast frame rates and an IR corrected motorized wide angle or telephoto, P-iris lens into an IP66 environmental rated, IK-10 impact-resistant bullet-style housing. H.264 compression reduces bandwidth and storage requirements while delivering full frame rates and full resolution without sacrificing image quality.

Integrated Motorized Lens with Remote Focus and Zoom

P-Iris Control for Best Depth of Field and Image Clarity

WDR
Wide Dynamic Range Available on AV2226 AV3226 Models

1080P
Dual Mode: 1080p/10MP on 10MP Models

STELLAR™
Low Light Technology on 1.2MP Models

Wide Angle or Telephoto Lens Option

IR LEDs

Impact / Weather Resistant
IK-10 (-S Models) and IP66 Rated

True Day/Night with IR Cut Filter

All-in-One Bullet-Style Solution

Pixel Binning
Mode on 3, 5, and 10MP Models

CorridorView™
with 90° Image Flip (-S Models)

SDHC Card Slot
(-S Models)

Dual Encoder H.264/MJPEG

Casino Mode™
Maintains at Least 30fps on 1080p Models

Audio Input/Output
(-A Models)

Features:

- 1.2–10 Megapixel Models
- Remote Focus/Zoom Motorized P-Iris Lens
- P-Iris Control to Get Best Depth of Field and Image Clarity
- Wide Angle or Telephoto Lens Options
- STELLAR™ (Spatio Temporal Low Light Architecture) Reduces Motion Blur, Noise and Storage Requirements, While Enhancing Contrast and Allowing Color Imaging in Near Complete Darkness on 1.2MP Models
- Optional True WDR up to 100dB at Full Resolution Available on Some 1080p and 3MP Models: See Clearly in Shaded and Bright Light Conditions Simultaneously
- True Day/Night Functionality with Mechanical IR Cut Filter and IR LEDs
- Binning Mode for Strong Low Light Performance on 3MP, 5MP and 10MP Cameras
- Casino Mode™ Guarantees Continuous 30fps Frame Rate Required by Gaming Industry Regulations (AV2225 Models)
- CorridorView™ Allows 90° Image Rotation for Better Coverage in Hallways and Corridors (-S Models)
- Privacy Mask, Motion Detection, Flexible Cropping, Bit Rate Control, Multi-Streaming, Forensic Zooming and Non-Integer Scaling
- Dual Encoder H.264/MJPEG
- Fast Frame Rates
- SDHC Card Slot for Onboard Storage (-S Models)
- Total PoE Solution (No External Power Required for IR LEDs), PoE and Auxiliary Power: 12–48V DC/24V AC
- IK-10 Impact-Resistant Housing (-S Models) and Outdoor Rated IP66
- Easily Adjustable 3-Axis Wall Mount, Junction Box Included
- Optional Audio
- User-Friendly Web Interface



Model Specific Features

Model	Resolution	Frame Rate	Features		
AV1225	1.2MP	37fps	–	–	STELLAR™
AV2225	1080p	31fps	–	Casino Mode™	–
AV2226	1080p	30fps	WDR	–	–
AV3225	3MP	21fps	–	–	Binning
AV3226	3MP	21fps	WDR	–	Binning
AV5225	5MP	14fps	–	–	Binning
AV10225	10MP	7fps	–	–	Binning

Options

Option	Description
PMIR	Wide Angle Lens w/ Remote Focus/Zoom, P-Iris, True Day/Night, IR LEDs
PMTIR	Telephoto Lens w/ Remote Focus/Zoom, P-Iris, True Day/Night, IR LEDs
-S	SDHC Card Slot, CorridorView™ w/ 90° Image Flip, Non-Integer Scaling
-A	Audio



Camera Imaging Specifications

Model	AV1225		AV2225		AV2226		AV3225		AV3226		AV5225		AV10225	
	-S		-S		-S		-S		-S		-S		-S	
Image Sensor	1.2MP*		2.07MP		2.07MP**		3MP**		3MP		5MP		10MP	
Day/Night	True Day/Night with Automatic Removable IR Cut Filter													
Optical Format	1/3"		1/2.7"		1/3"		1/3.2"		1/2.5"		1/3"		1/3.2"	
Pixel Pitch	3.75µm		3µm		2.2µm		2.2µm		2.2µm		2.2µm		1.67µm	
Minimum Illumination	Color (Day Mode)		0.1 Lux		0.3 Lux		0.3 Lux		0.1 Lux		0.3 Lux		0.42 Lux	
	Color Binning (Day Mode)		-		-		0.15 Lux		0.05 Lux		0.15 Lux		0.21 Lux	
	B/W (Night Mode)		0.002 Lux, 0 Lux, IR sensitive		0 Lux, IR sensitive		0 Lux, IR sensitive		0 Lux, IR sensitive		0 Lux, IR sensitive		0 Lux, IR sensitive	
Full FOV Resolution	1280 H x 960 V		1920 H x 1080 V		1920 H x 1080 V		2048 H x 1536 V		2048 H x 1536 V		2592 H x 1944 V		3648 H x 2752 V	
1/4 Resolution	640 H x 480 V		960 H x 540 V		960 H x 540 V		1024 H x 768 V		1024 H x 768 V		1296 H x 972 V		1824 H x 1376 V	
Scaling	-		-		Yes		-		Yes		-		Yes	
Dynamic Range	83.5dB		69dB		69.5dB		WDR up to 100dB		70.1dB		69.5dB		WDR up to 100dB	
Maximum SNR	54dB		45dB		44dB		49dB		45dB		44dB		49dB	
Frame Rates	At Max Resolution		37fps (1280 x 960)		31fps (1920 x 1080)		30fps (1920 x 1080)		21fps (2048 x 1536)		21fps (2048 x 1536)		14fps (2592 x 1944)	
	Cropped		-		42fps (1280 x 1024)		41fps (1280 x 1024)		29fps (1920 x 1080) 41fps (1280 x 1024)		30fps (1920 x 1080) 41fps (1280 x 1024)		21fps (2048 x 1536) 29fps (1920 x 1080) 41fps (1280 x 1024)	
	Binning Mode		-		-		-		46fps (1024 x 768) 64fps (960 x 540)		21fps (1024 x 768) 27fps (800 x 600) 31fps (960 x 540) 32fps (640 x 512)		34fps (1296 x 972) 46fps (1024 x 768) 64fps (960 x 540)	
Lens	Wide Angle Vari-focal (PMIR Models) H-FOV		3-9mm, 1/2.7", F1.2		3-9mm, 1/2.7", F1.2		3-9mm, 1/2.7", F1.2		3-9mm, 1/2.7", F1.2		3-9mm, 1/2.7", F1.2		3.6-9mm, 1/2.5", F1.3	
	Telephoto Vari-focal (PMTIR Models) H-FOV		92°-31°		115°-37° 82°-27°		85°-30°		87°-29°		90°-32°		96°-36°	
					8-22mm, 1/2.7", F1.6		8-22mm, 1/2.7", F1.6		8-22mm, 1/2.7", F1.6		8-22mm, 1/2.7", F1.6		9-22mm, 1/2.5", F1.6	
			42°-16° 26°-11°		30°-11°		28°-12°		32°-12°		38°-16°		30°-17°	
Remote Focus / Remote Zoom / P-iris	Yes		Yes		Yes		Yes		Yes		Yes		Yes	
IR-corrected	Yes		Yes		Yes		Yes		Yes		Yes		Yes	

* STELLAR™ Model ** Effective

Scaling Resolution Chart

Scaled Resolution	H	V	Pixel Count
720p	1280	720	921600
XVGA	1024	768	786432
DVGA (16:9)	1136	640	727040
DVGA (3:2)	960	640	614400
SVGA	800	600	480000
D1 (PAL)	720	576	414720
4CIF (PAL)	704	576	405504
D1 (NTSC)	720	480	345600
4CIF (NTSC)	704	480	337920
VGA	640	480	307200
2CIF (PAL)	704	288	202752
HVGA (4:3)	480	360	172800
2CIF (NTSC)	704	240	168960
HVGA (8:3)	640	240	153600
HVGA (3:2)	480	320	153600
HVGA (16:9)	480	272	130560
CIF (PAL)	352	288	101376
CIF (NTSC)	352	240	84480
QVGA (SIF)	320	240	76800
QCIF (PAL)	176	144	25344
QCIF (NTSC)	176	120	21120
SQCIF	128	96	12288

Data Transmission

Compression Type	H.264 (MPEG-4, Part 10)/Motion JPEG	
	21 levels of quality	
Protocols	RTSP, RTP/TCP, RTP/UDP, HTTP, DHCP, TFTP	
Network Interface	100Base-T Ethernet Network Interface	
Multi-Streaming	1.2MP-5MP models	8 non-identical streams
	10MP models	4 non-identical streams

Programmability

Remote focus, remote zoom and P-iris Control
Motion detection and privacy mask with up to 1024 detection zones
Non-integer scaling down to 128x96
Auto adjustment between WDR and LDR modes (WDR models only)
Programmable shutter speed to help control motion blur
Pixel binning mode (3, 5 and 10MP)
Casino Mode™ maintains 30fps (AV2225 model)
Flexible Cropping (resolution windowing down to 1x1 pixel for JPEG and 2x2 pixels for H.264)
Low light noise filter control
Bit rate and bandwidth limitation control
Backlight compensation and multi-matrix white balance
50/60Hz selectable flicker control
Electronic pan, tilt, zoom (PTZ)
180° image flip or CorridorView™ (90°, 180° and 270° image rotation) on -S models
Programmable resolution, brightness, saturation, gamma, sharpness, tint

Compliance	Industry Standard	ONVIF Profile S and PSIA Conformant
	Listings	UL (CB)
	FCC Compliance	47 CFR 15 Class A
	Environmental	RoHS, REACH, WEEE
	Markings	(CE) EN55022 Class A, EN55024, EN61000-3-2, EN61000-3-3, EN60950-1
	Mechanical	IP66 weather proof standard (EN60529), IK-10 impact-resistant (-S Models)

Environmental	Operating temperature	-40°C (-40°F) to +50°C (122°F)
	Stable image temperature	0°C (32°F) to +50°C (122°F)
	Storage temperature	-40°C (-40°F) to +60°C (140°F)
	Humidity	0% to 90% (non-condensing)

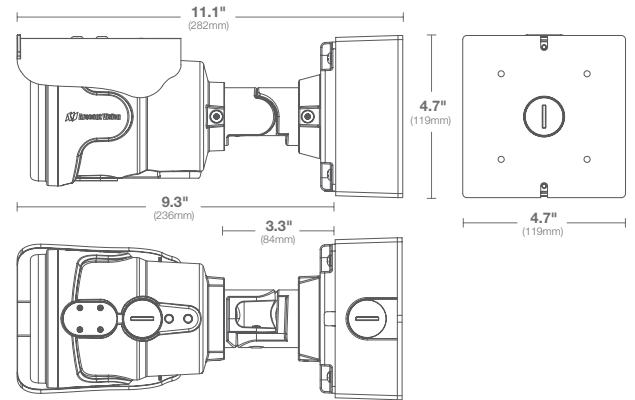
Electrical	Alarm Input/Output	General purpose opto-coupled input
	Power Over Ethernet	PoE 802.3af, Class 0
	Auxiliary Power	12-48V DC, 24V AC

Model	PMIR	PMTIR	PMIR-S	PMTIR-S
AV1225	-	-	12.0	-
AV2225	11.3	10.9	12.1	11.1
AV2226	12.4	11.8	13.4	12.0
AV3225	11.5	11.1	12.1	11.8
AV3226	12.4	11.8	13.4	12.0
AV5225	11.5	11.1	12.5	11.2
AV10225	11.8	11.3	12.4	11.3

IR Illuminator	PMIR	48 pcs 850nm LEDs / 100 ft IR distance (max) / 50° IR angle
	PMTIR	4 pcs 850nm LEDs / 200 ft IR distance (max) / 33° IR angle
	Total PoE Solution (No external power requirement)	

Audio Electrical (-A models only)	Streaming	Two-way
	Compression	G.711 PCM 8 kHz
	Input/output	Microphone in / line output

Mechanical	Casing	Die-cast aluminum cylindrical (Bullet-style) housing	
		IP66 weather proof standard	
		IK-10 impact-resistant	
	Mount	Easily adjustable 3-axis with 360° pan, 90° tilt and 360° z-axis	
	Total Unit Dimensions	Unit	4.7" H (119mm) x 4.7" W (119mm) x 11.1" D (282mm)
		Packaged	7.1" H (180mm) x 7.1" W (180mm) x 13.5" D (342.9mm)
	Weight	Unit	3.9 lb (1.76 kg)
		Packaged	5.2 lb (2.35 kg)
	On Board Storage	SDHC slot up to 32GB (Card not included)	



Accessories	AV-EBA	Electrical Box Adapter
	AV-PMA	Pole Mount Adapter
	AV-CRMA	Corner Mount Adapter